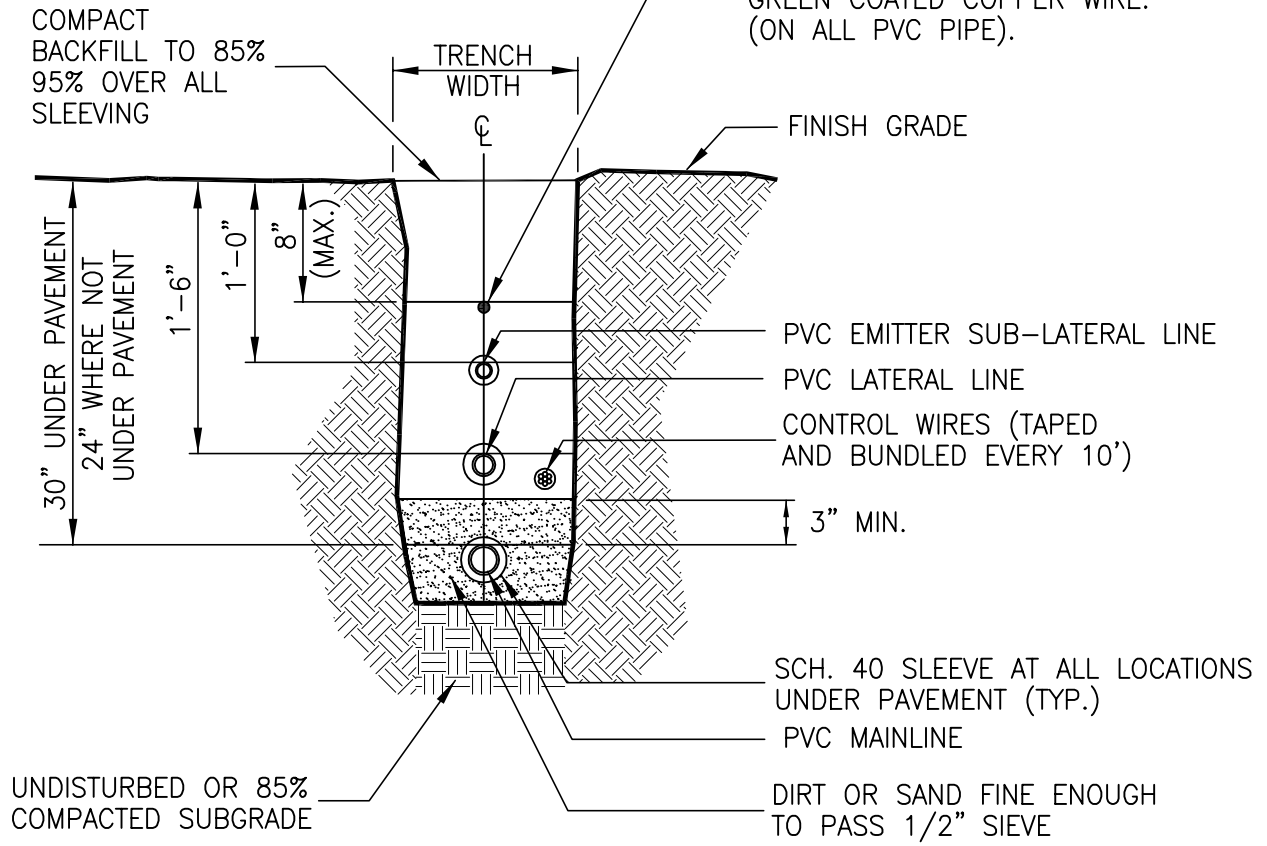


COLOR TRACER WIRE TO BE RUN ALONG DITCH ALIGNMENT AT CENTERLINE OF PIPES (6"-8" DEEP). AN EXPOSED LOOP IN THE TRACER WIRE/RIBBON SHALL BE PROVIDED AT ALL VALVES, PULL BOXES, AND THE ENDS OF ALL SLEEVES. TRACER WIRE SHALL BE #16 GREEN COATED COPPER WIRE. (ON ALL PVC PIPE).



NOTES:

1. ALL PIPES SHALL BE INSTALLED IN ACCORDANCE WITH MANUFACTURER'S SPECIFICATIONS.
2. NO PIPE OR WIRE SHALL BE LOCATED UNDER PAVING UNLESS IT IS SLEEVED.

IRRIGATION TRENCHING

NTS

ISSUED:		STANDARD DETAIL		DETAIL NO.
REVISED:		IRRIGATION TRENCHING		414
				SHEET 1 OF 1