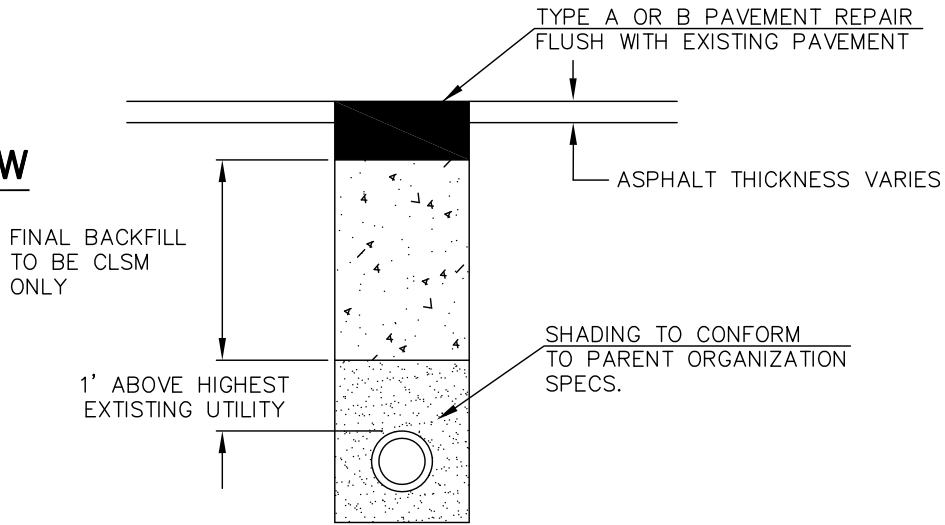
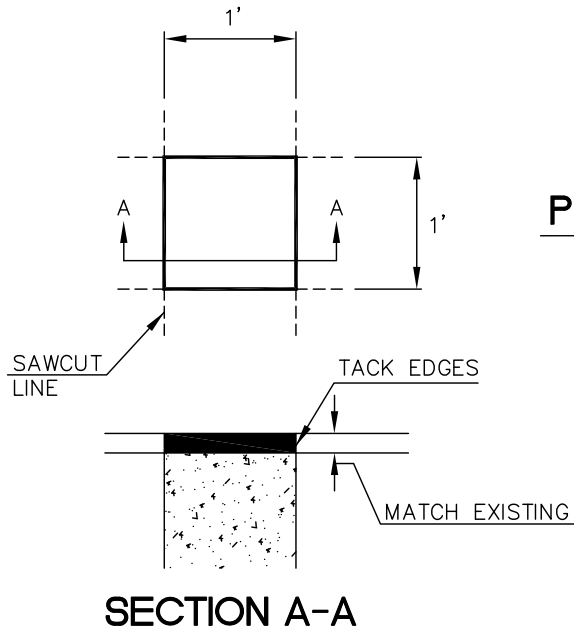


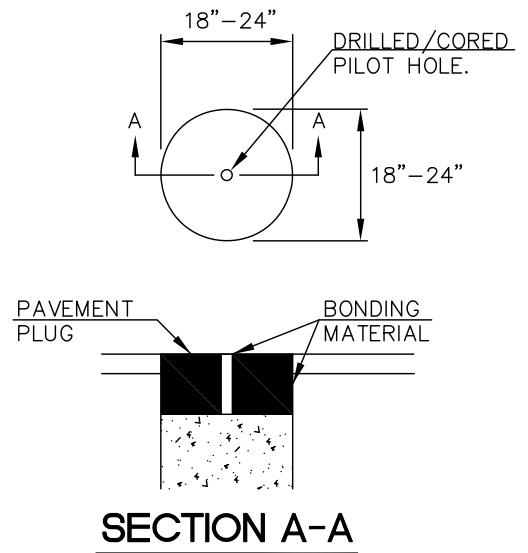
SECTION VIEW



TYPE 'A' PAVEMENT REPAIR



TYPE 'B' PAVEMENT REPAIR



PLAN VIEW

SECTION A-A

NOTES:

1. DIMENSIONS ARE NOMINAL
2. EDGES SHALL BE CUT TO A NEAT VERTICAL FACE.
3. PLACE CLSM BACKFILL IN ACCORDANCE WITH "T TOP" TRENCH PATCH DETAIL COT STD DTL 216.
4. PLACE AGENCY-APPROVED ASPHALT CONCRETE IN MAXIMUM 2" LIFTS.
5. SAWCUT LINES TO BE FILLED WITH BONDING MATERIAL IN ACCORDANCE WITH DTM APPROVED RUBBERIZED ASPHALT CRACK SEAL.

NOTES:

1. CUT, REMOVE AND REPLACE PAVEMENT. PLUG IN ACCORDANCE WITH "T TOP" TRENCH PATCH DETAIL COT STD DTL 216.
2. PLACE CLSM BACKFILL IN ACCORDANCE WITH "T TOP" TRENCH PATCH DETAIL COT STD DTL 216.
3. BONDING MATERIAL SHALL BE IN ACCORDANCE WITH DTM APPROVED RUBBERIZED ASPHALT CRACK SEAL.

NOTE:

ALL SURVEY MONUMENTS MUST BE IDENTIFIED AND REFERENCED BY A REGISTERED LAND SURVEYOR PRIOR TO CUTTING AND PAVING AND SHALL BE REPLACED AT THE SAME LOCATION BY AN RLS ACCORDING TO STATE LAW (ARS 33-103). THE CITY OF TUCSON SURVEY SECTION WILL REFERENCE SURVEY MONUMENTS PRIOR TO COMMENCEMENT OF WORK AND REPLACE THEM FOLLOWING COMPLETION OF WORK AT THE EXPENSE OF THE PARTY DISTURBING SAID MONUMENT.

ISSUED:		<p align="center">STANDARD DETAIL</p> <p align="center">UTILITY POTHOLE REPAIR</p>		DETAIL NO.
07/21				219
REVISED:				M-2021-003
				SHEET 1 OF 1